

**Digital room thermostat**

| Infrared control set  |  |                   |                    |
|---|--|-------------------|--------------------|
|   | EH 300 set   | EH 600 set        | EH 900 set         |
| <b>PTC-electric heating element</b>   |  |                   |                    |
| Nominal voltage   | AC 230 Volt  | AC 230 Volt       | AC 230 Volt        |
| Nominal input EH  | 300 Watts at 60 °C   | 600 Watts at 60°C | 900 Watts at 60 °C |
| Depth of immersion EH   | 285 mm   | 525 mm            | 750 mm             |
| Diameter D EH   | 11 mm  | 11 mm             | 11 mm              |
| Cable length EH   | 1500 mm  | 1500 mm           | 1500 mm            |
| <b>Digital room thermostat transmitter</b>  |  |                   |                    |
| Setting range for room temperatures   | Between + 5 °C and + 30 °C   |                   |                    |
| Setting range for BOOST cycle duration  | Between 5 minutes and 5 hours  |                   |                    |
| Display area for room temperatures  | Between + 0 °C and + 40 °C   |                   |                    |
| Static deviation  | < 0,3 K  |                   |                    |
| Power supply  | 2 alkaline cells, LR03 model   |                   |                    |
| Range   | Approx. 10 metres (all directions)<br>Approx. 15 metres (in an unobstructed straight line) |                   |                    |
| Interval of Infrared transmissions  | Every 10 minutes   |                   |                    |
| Operational temperature   | Between -10 °C and +50 °C  |                   |                    |
| Storage temperature   | Between -20 °C and +60 °C  |                   |                    |
| Air humidity  | Maxium of 90 %, at +25 °C  |                   |                    |
| Protection mode   | IP 31  |                   |                    |
| Dimensions  | 120 x 80 x 35 mm (HxBxT)   |                   |                    |
| <b>Digital room thermostat receiver</b>   |  |                   |                    |
| Supply voltage  | 230 VAC +/- 10%  |                   |                    |
| Mains frequency   | 50 Hz  |                   |                    |
| Input power   | < 5 VA   |                   |                    |
| Output  | 1 N/O contact (not potential free)   |                   |                    |
| Switching capacity  | Ohm resistive load: max. 10A/2000W   |                   |                    |
| Operational temperature   | Between -10 °C and +40 °C  |                   |                    |
| Storage temperature   | Between -20 °C and +60 °C  |                   |                    |
| Air humidity  | Maxium of 90 %, at +20 °C  |                   |                    |
| Protection mode   | IP 24  |                   |                    |
| Dimensions  | 117 x 81 x 30 mm (HxBxT)   |                   |                    |
| Digital room thermostat, transmitter and receiver <b>AND</b> electrical heating element     |  |                   |                    |
| Item no.  | D00ZRI300B   | D00ZRI600B        | D00ZRI900B         |
| Digital room thermostat, transmitter and receiver <b>WITHOUT</b> electrical heating element |  |                   |                    |
| Item no.  | D00ZRI000B   |                   |                    |

Digital room thermostat with infrared transmission, (incl. PTC-electric heating element) for room temperature control using the Design radiators. The infrared transmitter has a clear LCD display, simultaneously showing the room temperature, target temperature, operation mode and the BOOST symbol.

Using the BOOST function you can activate continuous operation (without thermostatic control) for between 5 minutes and 5 hours.

1 or 2 BOOST cycles may be set for each day, using 3 preset and adjustable programmes.

The infrared control unit is especially suitable for subsequent installation, because it simply involves plugging the receiver into a safety socket.

The infrared control set is available for all Design radiator models (exceptions: VELINO, LOWA-VM, OHIO, and FLINT!).

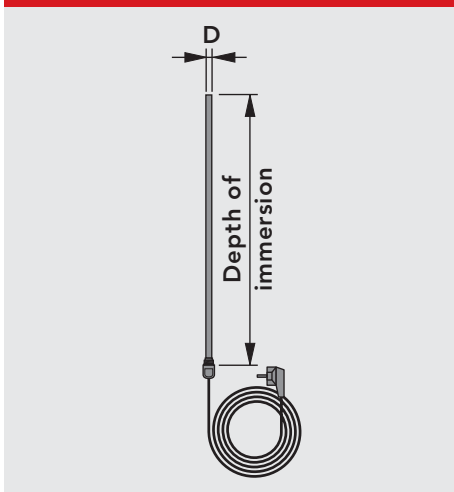
**Electrical heating element**



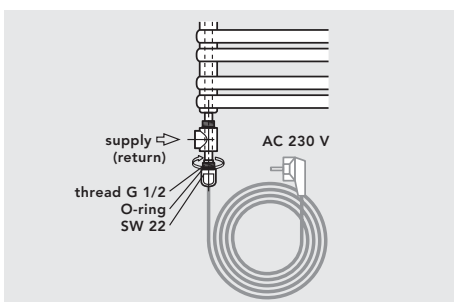
| PTC-electrical heating element, for use with all models, with the exception of LOWA-VM, MANO, SEWA, EDISTO, OHIO VHM/VSM, VELINO, and FLINT |                           |                                      |
|---|---------------------------|--------------------------------------|
| Output at 60 °C [Watts]   | Item no. WITH safety plug | Item no. WITH safety plug AND switch |
| 300   | D00ZE3000A                | D00ZE300SA                           |
| 600   | D00ZE6000A                | D00ZE600SA                           |
| 900   | D00ZE9000A                | D00ZE900SA                           |
| The VELINO electrical heating element   |                           |                                      |
| 615   | D00ZER600A                | D00ZER60SA                           |
| The LOWA-VM electrical heating element, G 3/8   |                           |                                      |
| 300   | DDNZE3000A                | DDNZE300SA                           |
| 600   | DDNZE6000A                | DDNZE600SA                           |

**Which electrical heating element to use:** Appropriate electrical heating elements and their insertion, positioning and fastening modes are specified in the output diagrams in the pricelist, as well as in the installation sheets for the respective Design radiator families. It is absolutely essential to adhere to these instructions.

**PTC-electrical heating element, for use with all models, with the exception of: LOWA-VM, MANO, SEWA, EDISTO, OHIO VHM/VSM, VELINO, and FLINT**



| Electrical heating element    | EH 300 *<br>EHS 300 ** | EH 600 *<br>EHS 600 ** | EH 900 *<br>EHS 900 ** |
|-------------------------------|------------------------|------------------------|------------------------|
| Nominal voltage               | AC 230 Volt            | AC 230 Volt            | AC 230 Volt            |
| Nominal input EH              | 300 Watts at 60 °C     | 600 Watts at 60°C      | 900 Watts at 60 °C     |
| Depth of immersion EH         | 285 mm                 | 525 mm                 | 750 mm                 |
| Diameter D EH                 | 11 mm                  | 11 mm                  | 11 mm                  |
| Cable length EH               | 1500 mm                | 1500 mm                | 1500 mm                |
| Item no. With safety plug*    | D00ZE3000A             | D00ZE6000A             | D00ZE9000A             |
| With safety plug and switch** | D00ZE300SA             | D00ZE600SA             | D00ZE900SA             |
| Design:                       | Protection mode        |                        |                        |
| * with safety plug            | IP 64                  |                        |                        |
| ** with safety plug and plug  | IP 40                  |                        |                        |



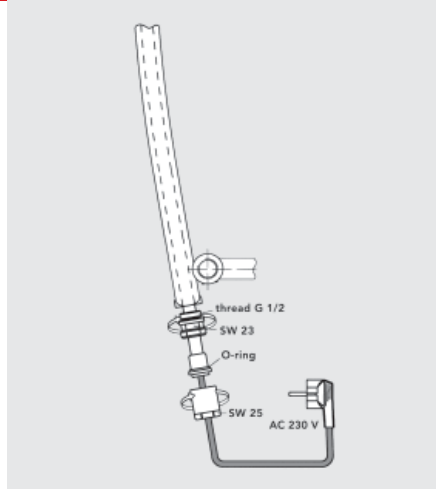
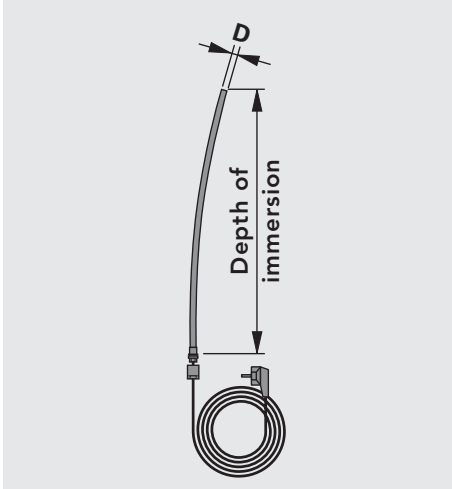
Design radiators fitted with an electric heating element can also be used at times when the regular heating system is switched off (exceptions: the LOWA-VM, MANO, SEWA, EDISTO, OHIO VHM/VSM, VELINO, and FLINT models).

Self-adjusting effect – the temperature-dependent PTC-heating element automatically controls the water temperature in the radiator by adjusting its electrical resistance.

**After the installation of the PTC-electrical heating element proceed as follows:** Fill the heating system with water and vent it. Before start-up, the radiator must be completely filled and vented. Always ensure that the water inside can expand so as to reach the expansion receptacle. For operation with the electrical heating insert we recommend closing the radiator’s thermostat valve, to prevent heat being diverted into the rest of the distribution system.

**Which electrical heating element to use:** Appropriate electrical heating elements and their insertion, positioning and fastening modes are specified in the tables given in the technical brochures, as well as in the installation sheets for the respective Design radiator families. It is absolutely essential to adhere to these instructions.

The VELINO electrical heating element

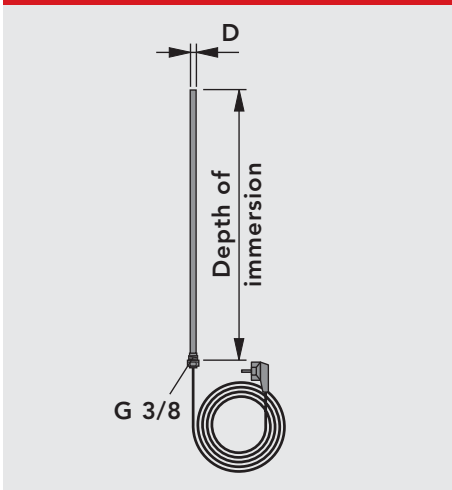


|  |                                   |
|--|-----------------------------------|
| Electrical heating element                                       | EHR 615 *<br>EHRS 615 **          |
| Nominal voltage  | AC 230 Volt                       |
| Nominal input EH   | 615 Watts                         |
| Depth of immersion EH  | 610 mm                            |
| Diameter D EH  | 12,5 mm                           |
| Cable length EH  | 1500 mm                           |
| Item no.<br>With safety plug*                                    | D00ZER600A                        |
| With safety plug<br>and switch**                                 | D00ZER60SA                        |
| Design:<br>* with safety plug<br>** with safety plug<br>and plug | Protection mode<br>IP 54<br>IP 40 |



Appropriate electrical heating elements and their insertion, positioning and fastening modes are specified in the tables in the technical brochures and the installation sheets for the VELION Design radiator family. It is **absolutely essential** to adhere to these instructions.

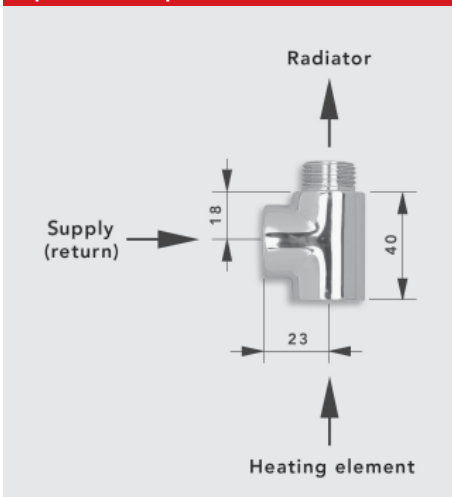
The LOWA-VM, MANO, SEWA, EDISTO electrical heating element, G 3/8



|  |                                   |                      |
|--|-----------------------------------|----------------------|
| Electrical heating element                                       | E 300 *<br>ES 300 **              | E 600 *<br>ES 600 ** |
| Nominal voltage  | AC 230 Volt                       | AC 230 Volt          |
| Nominal input EH   | 300 Watts                         | 600 Watts            |
| Depth of immersion EH  | 515 mm                            | 750 mm               |
| Diameter D EH  | 12,5 mm                           | 12,5 mm              |
| Cable length EH  | 1500 mm                           | 1500 mm              |
| Item no.<br>With safety plug*                                    | DDNZE3000A                        | DDNZE6000A           |
| With safety plug<br>and switch**                                 | DDNZE300SA                        | DDNZE600SA           |
| Design:<br>* with safety plug<br>** with safety plug<br>and plug | Protection mode<br>IP 54<br>IP 40 |                      |



Special adapter



Special adapter (chrome-plated)

A special adapter needs to be used for Design radiators without a 1/2" socket for the electrical heating element, as shown in the adjacent diagram. (Applies to the following models: BAWA, CAVALLY, FULDA, LOKOLO, MOSEL and FATALA/standard design.)